



SV1260/3XJ, SV1215/3CJ and SV2420/3XJ Models Shown

FEATURES

- Selectable charging outputs for Lead-Acid, AGM, Gel, Lead Calcium, Spiralcell or Lithium-ion (LiFeS04)
- Automatically switches to 115vac or 230vac and 50Hz or 60Hz power
- Three isolated bank charging outputs
- Lightweight and compact size
- “Night Mode” button for silent operation
- AC and DC fuse protection
- Automatic weekly equalization
- Conformal coated PC Board for corrosion protection
- Direct replacement for Sentry “SM” series chargers
- LED charge mode and fault status indicator
- Two year parts warranty

The line of Sentry Voyager marine battery chargers are light weight, compact and easy to install. Its circuit board is conformal coated for added protection from the harsh marine environment.

Sentry Voyager battery chargers are designed with dip switches to select the correct battery charging curve. Battery charge selections are Lead-Acid, AGM, Gel, Lead Calcium, Spiralcell or Lithium-ion (LiFeS04). Each charger will charge three independent and isolated battery banks.

The Voyager series charger is a direct replacement for the Sentry “SM” series battery charger. Please refer to the specification sheet for dimensional details.

The charger is designed to automatically switch to match 115vac or 230vac incoming power and 50Hz or 60Hz frequency.

Equipped with an LED indicator, Voyager chargers display charging status of Boost, Equalization and float modes. The LED indicator will also show fault status of high temperature fault, battery fuse fault and output voltage fault.

All Sentry Voyager chargers come with a 2 year parts warranty from date of manufacture.

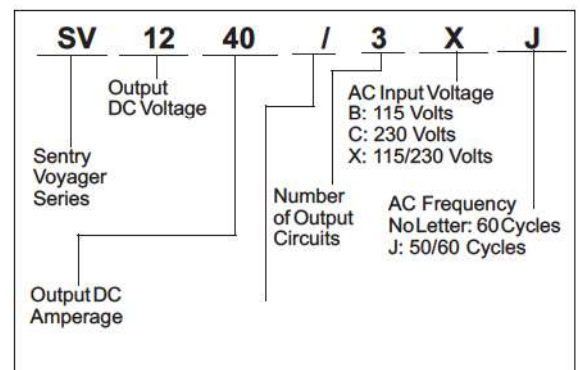
TECHNICAL SPECIFICATIONS

Model	SV1210/3CJ	SV1215/3CJ	SV1225/3XJ	SV1240/3XJ	SV1260/3XJ	SV2420/3XJ
DC Output Voltage	12V	12V	12V	12V	12V	24V
DC Output Current	10 A	15 A	25 A	40 A	60 A	20 A
Charging Curves	**4	**4	**4	**4	**4	**4
# Output Banks	3	3	3	3	3	3
AC Input Voltage	*230 VAC	*230 VAC	115/230 VAC	115/230	115/230 VAC	115/230
AC Input Current	1.3 A	1.9 A	4/2 A	7/3.5 A	12/6 A	7/3.5 A
Input Frequency	50/60 Hz	50/60 Hz	50/60 Hz	50/60 Hz	50/60 Hz	50/60 Hz
Height in / mm	9.4 / 238	9.4 / 238	13.9 / 354	13.9 / 354	4.2 / 107	13.9 / 354
Width in / mm	4.7 / 120	4.7 / 120	4.7 / 120	4.7 / 120	9.4 / 240	4.7 / 120
Depth in / mm	3.79 / 96	3.79 / 96	3.79 / 96	3.79 / 96	10.79 / 274	3.79 / 96
Weight lb / kg	2 / 1.3	2 / 1.3	4 / 1.9	4 / 1.9	6 / 3	4 / 1.9
DC Output Fuse	15A	20A	2x15A	2x25A	3x25A	2x15A
AC Input Fuse	2A	3A	6A	10A	16A	10A
CE Approved	Yes	Yes	Yes	Yes	Yes	Yes
Ventilation	Convection	Convection	Fan	Fan	Fan	Fan
Battery Isolation	Yes	Yes	Yes	Yes	Yes	Yes
LED Charge status	Yes	Yes	Yes	Yes	Yes	Yes
LED Fault indicator	Yes	Yes	Yes	Yes	Yes	Yes
Quiet Night Mode	Yes	Yes	Yes	Yes	Yes	Yes
CAN BUS	No	No	No	No	Yes	No
Warranty Parts	2	2	2	2	2	2

*NOTE: Contact Sentry for 115vac models

**NOTE: 4 Charging Curves: Flooded Lead-Acid, (AGM, Gel, Sprial), Lead Calcium and Lithium LiFeS04

INTERPRETING MODEL NUMBERS



Marine Battery Chargers
 Linear Devices Corp.
 11126 Air Park Road, Suite G
 Ashland, VA 23005
 Ph: 804-368-8428, Fax: 804-368-8438
 Toll Free 1-888-532-8768
 Email: sales@sentrychargers.com
sentrychargers.com