



SVE1270/3XJ Model Shown

FEATURES

- Selectable charging outputs for Open Lead-Acid, Sealed Lead-Acid, AGM, Gel, Lead Calcium, Spiralcell, Lithium-ion (LiFeS04) batteries and Winter Storage Mode
- Easy to read LED display showing charge modes and fault status
- Automatically switches to 115vac or 230vac and 50Hz or 60Hz power
- Three isolated bank charging outputs
- Lightweight and compact size
- Battery temperature sensor to prevent overcharging
- AC and DC fuse protection
- CAN BUS J1939 interface to connect to any monitoring system
- Conformal coated PC Board for corrosion protection
- Direct replacement for Sentry "SM" series chargers
- Two year parts warranty

The line of Sentry Voyager Elite marine battery chargers are heavy duty and extremely reliable. Each charger comes equipped with a CAN BUS J1939 interface which can be connected to any monitoring system. The circuit board is conformal coated for added protection from the harsh marine environment.

Sentry Voyager Elite battery chargers are designed with a rotary switch to select the correct charging curve for your batteries. The battery charge selections are Lead-Acid, AGM, Gel, Lead Calcium, Spiralcell, Lithium-ion (LiFeS04) and Winter Storage Mode. Each charger will charge three independent and isolated battery banks. A battery temperature sensor is included to prevent overcharging batteries in a high ambient temperature.

The Voyager Elite series charger is a direct replacement for the Sentry "SM" series battery charger. Please refer to the specification sheet for dimensional details.

The charger is designed to automatically switch to match 115vac or 230vac incoming power and 50Hz or 60Hz frequency.

The easy to read display shows charging status of Boost, Equalization or Absorption and Float modes. The display will also show fault status of high temperature fault, battery fuse fault and output voltage fault.

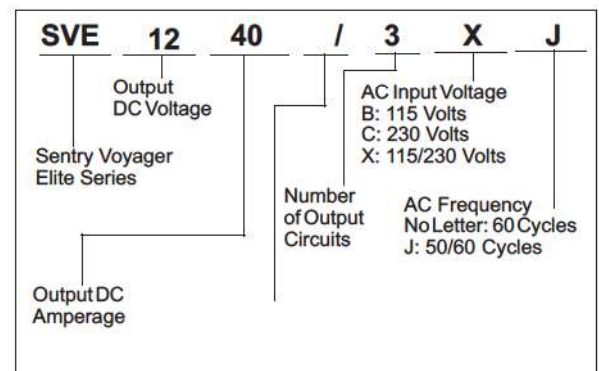
All Sentry Voyager Elite chargers come with a 2 year parts warranty from date of manufacture.

TECHNICAL SPECIFICATIONS

Model	SVE1270/3XJ	SVE1290/3XJ	SVE2440/3XJ	SVE2460/3XJ	SVE2480/3CJ	SVE24100/3CJ	SVE24150/3CJ
DC Output Voltage	12V	12V	24V	24V	24V	24V	24V
DC Output Current	70 A	90 A	40 A	60 A	80 A	100 A	150A
Charging Curves	**9	**9	**9	**9	**9	**9	**9
# Output Banks	3	3	3	3	3	3	3
AC Input Voltage	*115/230	*115/230	115/230	115/230	230 VAC	230 VAC	230VAC
AC Input Current	13A/6A	16A/7A	14A/6 A	15A/9A	15A	17A	20A
Input Frequency	50/60 Hz	50/60 Hz	50/60 Hz	50/60 Hz	50/60 Hz	50/60 Hz	50/60 Hz
Height in / mm	14.1/358	14.1/358	14.1/358	14.1/358	14.1/358	14.1/358	14.1/358
Width in / mm	13.6/346	13.6/346	13.6/346	13.6/346	13.6/346	13.6/346	13.6/346
Depth in / mm	5/128	5/128	5/128	5/128	5/128	7.7/196	7.7/196
Weight lb / kg	13.2/6	13.2/6	13.2/6	13.2/6	13.2/6	25.4/11.5	25.4/11.5
DC Output Fuse	4x30A	4x30A	3x25A	3x25A	5x25A	5x25A	6x25A
AC Input Fuse	20A	20A	20A	20A	20A	2x20A	2x20A
CE Approved	Yes	Yes	Yes	Yes	Yes	Yes	Yes
Ventilation	Fan	Fan	Fan	Fan	Fan	Fan	Fan
Battery Isolation	Yes	Yes	Yes	Yes	Yes	Yes	Yes
LED Charge status	Yes	Yes	Yes	Yes	Yes	Yes	Yes
LED Fault indicator	Yes	Yes	Yes	Yes	Yes	Yes	Yes
CAN BUS	Yes	Yes	Yes	Yes	Yes	Yes	Yes
Warranty Parts	2	2	2	2	2	2	2

****NOTE:** 9 Charging Curves: Open Flooded Lead-Acid, Sealed Lead-Acid, Lead Calcium, Calcium Calcium, (AGM, Gel), Spiral cell, Lithium LiFeSo4, Storage Open Lead-Acid and Storage Sealed Lead-Acid

INTERPRETING MODEL NUMBERS



Marine Battery Chargers
 Linear Devices Corp.
 11126 Air Park Road, Suite G
 Ashland, VA 23005
 Ph: 804-368-8428, Fax: 804-368-8438
 Toll Free 1-888-532-8768
 Email: sales@sentrychargers.com
sentrychargers.com