



FR 2460/3XJ, FR1220/3B and FR3230/3X Models Shown

FEATURES

- Chargers available in 12, 24 and 32vdc
- Full cutoff when full charge reached - no "trickle" charge
- No boiling or dehydration
- Ignition protected
- Three bank charging (4 bank available on request on 60 amp models)
- Quiet operation
- Current limiting protection
- Drip proof cabinet
- AC fuse protection
- Automatic reset DC Breaker
- Reliable ferro-resonant technology
- Field repairable
- Two year parts and labor warranty

The line of Sentry FR chargers is in an elite class, setting the standard for dependable battery chargers. Sentry chargers are designed to operate for decades in the harsh marine environment. They are completely field serviceable and come with a 2-year parts and labor warranty.

Sentry FR battery chargers are designed for fully automatic, unattended operation. Once batteries reach full charge, Sentry chargers turn off completely. There is no output trickle to overcharge or dehydrate batteries.

Standard Sentry chargers have negative ground with triple output, allowing three separate banks of batteries to be charged simultaneously. A fourth output is available on some models.

For long voyages, Sentry FR is the charger to have aboard. The manual/automatic switch allows you to bypass the voltage regulating circuit, and most repairs can be accomplished with just a few spare parts.

Front-panel controls and indicators include an ammeter, manual/automatic selector switch, full-charge and "on" indicator lights.

All models are current limited and ignition protected for engine room installations.

TECHNICAL SPECIFICATIONS

Model	FR1220/3B	FR1240/3X	FR1240M/3X	FR1240/3XJ	FR1260/3X	FR1260M/3X	FR2425/3X	FR2425M/3X	FR2440/3X	FR2440/3XJ	FR2460/3XJ	FR3230/3X
Type of Battery	Lead Acid/Gel	Lead Acid/Gel	AGM	Lead Acid/Gel	Lead Acid/Gel	AGM	Lead Acid/Gel	AGM	Lead Acid/Gel	Lead Acid/Gel	Lead Acid/Gel	Lead Acid/Gel
DC Output Voltage	12V	12V	12V	12V	12V	12V	24V	24V	24 V	24 V	24 V	32 V
DC Output Current	20 A	40 A	40 A	40 A	60 A	60 A	25 A	25 A	40 A	40 A	60 A	30 A
Cut In/Cut Out	12.8/13.	12.8/13.9	13.0/14.	12.8/13.	12.8/13.9	13.0/14.	25.5/28.0	26/28.5	25.5/28.0	25.5/28.	25.5/28.0	34.5/37.5
# Output Banks	3	3	3	3	***3	***3	3	3	3	3	***3	3
AC Input Voltage	115	*115/230	*115/230	*115/230	*115//230	*115/230	*115/230	*115/230	*115/230	*115/230	*115/230	*115/230
AC Input Current	4A	7/3.5 A	7/3.5	7/3.5 A	12/6 A	12/6 A	7/3.5 A	7/3.5 A	13/6.5 A	13/6.5 A	20/10 A	17/8.5 A
Input Frequency	60 Hz	60 Hz	60 Hz	**50/60	60 Hz	60 Hz	60 Hz	60 Hz	60 Hz	**50/60	**50/60 Hz	60 Hz
Height in/mm	14.50 /	14.50 /	14.50 /	14.50 /	16.25 /	16.25 /	14.50 /	14.50 /	16.25 /	16.25 /	16.25 /	16.25 /
Width in/mm	13.25 /	13.25 /	13.25 /	13.25 /	13.75 /	13.75 /	13.25 /	13.25 /	13.75 /	13.75 /	15.25 /	13.75 /
Depth in/mm	6.0 /	6.0 / 152	6.0 /	6.0 /	7.25 / 184	7.25 /	6.0 / 152	6.0 / 152	7.25 / 184	7.25 /	7.75 / 200	7.25 /
Weight lb/kg	24 / 11	28 / 12.7	28 /	28 /	38 / 17.3	38 / 17.3	29 / 13.2	30 / 13.6	39 / 17.7	39 /	60 / 27.3	45 / 20.5
DC Output Fuse	Yes	Yes	Yes	Yes	Yes	Yes	Yes	Yes	Yes	Yes	Yes	Yes
AC Input Fuse	****5A	****10A	****10	****10A	****15A	****15A	****10A	****10A	****15A	****15A	****20A	****20A
CE Approved	Yes	Yes	Yes	Yes	Yes	Yes	Yes	Yes	Yes	Yes	Yes	Yes
Ignition Protected	Yes	Yes	Yes	Yes	Yes	Yes	Yes	Yes	Yes	Yes	Yes	Yes
Internal Fan	Yes	Yes	Yes	Yes	Yes	Yes	Yes	Yes	Yes	Yes	Yes	Yes
Current Limited	Yes	Yes	Yes	Yes	Yes	Yes	Yes	Yes	Yes	Yes	Yes	Yes
Battery Isolation	Yes	Yes	Yes	Yes	Yes	Yes	Yes	Yes	Yes	Yes	Yes	Yes
Charger Status Ind.	Ammete	Ammeter	Ammet	Ammet	Ammeter	Ammete	Ammeter	Ammeter	Ammeter	Ammete	Ammeter	Ammeter
Full Charge Indicator	Yes	Yes	Yes	Yes	Yes	Yes	Yes	Yes	Yes	Yes	Yes	Yes
Charger On Indicator	Yes	Yes	Yes	Yes	Yes	Yes	Yes	Yes	Yes	Yes	Yes	Yes
Manual/Auto Switch	Yes	Yes	Yes	Yes	Yes	Yes	Yes	Yes	Yes	Yes	Yes	Yes
Field Repairable	Yes	Yes	Yes	Yes	Yes	Yes	Yes	Yes	Yes	Yes	Yes	Yes
Warr.-Parts & Labor	2	2	2	2	2	2	2	2	2	2	2	2

NOTE: contact Sentry for models to charge AGM batteries.

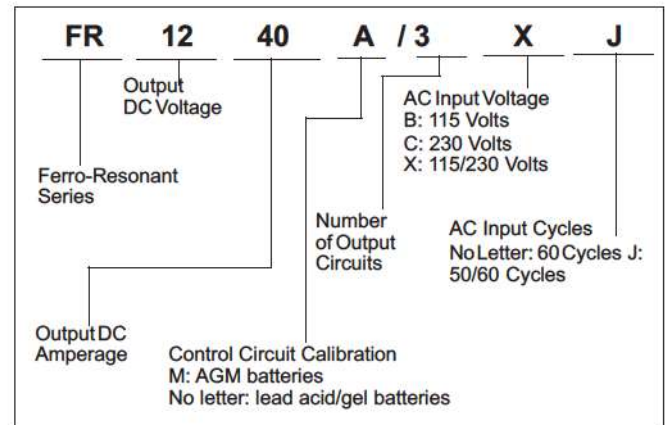
***NOTE:** voltage is changed with a rocker switch.

****NOTE:** frequency is changed with a slide switch.

*****NOTE:** 4 outputs available on special order.

******NOTE:** AC fuses rated slow blow at 250VAC.

INTERPRETING MODEL NUMBERS



Automatic Ferro-Resonant Battery Charger
 Linear Devices Corp.
 11126 Air Park Road, Suite G
 Ashland, VA 23005
 Ph: 804-368-8428, Fax: 804-368-8438
 Toll Free 1-888-532-8768
 Email: sales@sentrychargers.com
sentrychargers.com